

alora mood

P. 1.855.855.8926

CANADA: 19054 28TH Avenue Surrey - BC V3Z 6M3

USA: 3035 E. Lone Mountain Rd - Las Vegas, NV, 89081

ARCHER WV584510



FIXTURE DIMENSIONS	W9-1/2" x H9-3/4" x E25-5/8"
EXTENSION	25-5/8"
LAMP TYPE	E26
MAX WATTAGE	60W
BULB QTY	1
BULBS INCLUDED	No
VOLTAGE	120V
SHADE DIMENSIONS	D9-1/2" x H5-5/8"
MATERIAL	Steel
INSTALL OPTIONS	Down Only; Wall;
LOCATION	Damp
CANOPY DIMENSIONS	D5" x E1-3/4"
PAINT FINISH	MB01; SL01;

[D - Diameter, L - Length, W - Width, H - Height, E - Extension]

AVAILABLE FINISHES:

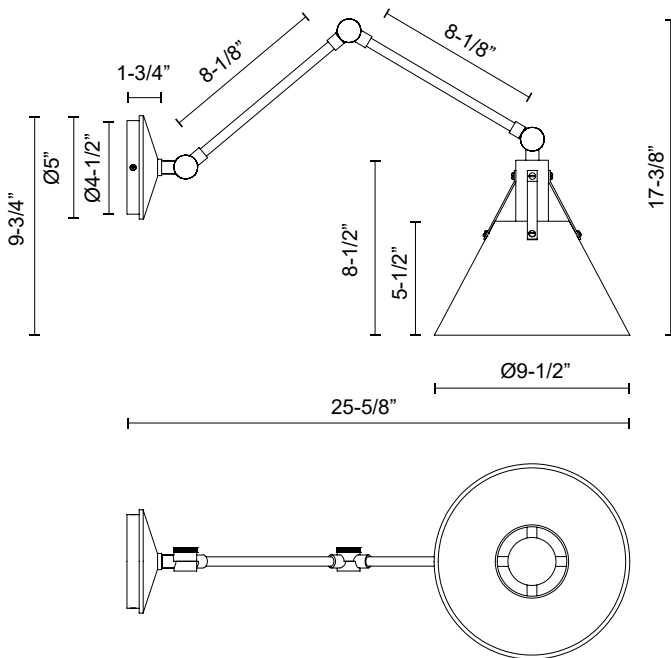


WV584510MB
Matte Black



WV584510SL
Steel Shade

*For complete warranty terms, please visit: www.aloralighting.com/warranty



WWW.ALORAMOOD.COM

© 2022 KUZCO LIGHTING. ALL RIGHTS RESERVED.

